

# Sightglass light fittings completely in stainless steel for use in hazardous areas

## Series EdelEx 5 dH / 10 dH / 20 dH



Sightglass light fitting type EdelEx 20 dH Sch K1, 20 W, 24 V, Ex d IIC T4 Gb, Ex t IIIC T130°C Db IP67, Ex II 2 G + D, mounted onto circular sightglass to DIN 28120, PN 10, DN 125.



Sightglass light fitting type EdelEx 10 dH R50 K1, 10 W, 230 V, Ex d IIC T4 Gb, Ex t IIIC T130°C Db IP67, Ex II 2 G + D, with intermediate flange collar fixation "R", mounted onto a screwed sightglass similar to DIN 11851, PN 6, DN 50.

With the series EdelEx, MAX MÜLLER AG presents the **first hazardous area sight-glass light fitting made of stainless steel**. With the combination of advanced technological ideas, no compromise design and the reputed MAX MÜLLER quality, the series EdelEx offers to the fabricators and users of all stainless steel process equipment the following important advantages:

#### For the purchasing department:

- **Highly competitive prices** due to compact value-engineered design and highly efficient manufacturing techniques
- **Short lead times**

#### For the design or plant engineer:

- Versatile design enabling the light fittings to be used as a combination "view and light through one assembly" or for use as a separate light fitting in a two port system, already from DN 50
- **Easy installation** due to 2 different fixation systems (flange collar "R" or tilting hinge "Sch" / "Sch 1") on:
  - Circular sightglasses to DIN 28120/28121 or similar
  - Screwed sightglasses similar to DIN 11851
  - Pipeline flow indicators for pipelines
- ATEX equipment protection level (EPL): Gb (zones 1 and 2) and Db (zones 21 and 22)
- **Brilliant illumination** due to specially designed high efficiency reflector and wattages up to 20 W
- Light units may be **installed without restriction in any position**
- **Particularly designed for the powerful lighting out of stainless steel vessels, reactors, mixers, fermentors, containers and related process equipment in hazardous areas** in the pharmaceutical, bio-chemical, chemical, cosmetic and food processing industries
- For sterile and "clean rooms" applications
- Connection to different supply voltages (see overleaf)

#### For the maintenance electrician:

- **Easy replacement** of industry standard halogen bulbs

#### Operating conditions:

Completely **independent** of internal vessel pressure and vacuum. There is **no restriction** on the mounting position of the light fitting.

#### Electrical data:

Supply: AC or DC, depending on the type of light fitting  
(Note: With integrated transformer AC **only**).

Terminal voltages: See overleaf

#### Enclosure protection degree:

IP67, dust tight and protected against the effects of temporary immersion to EN 60529 / DIN VDE 0470 part 1.

#### Construction and materials:

Housing and fixation elements in **stainless steel**. Cable gland M16, in vertical position, type designation "K1", (standard delivery) or in horizontal position (designation "K2"). Connection terminals up to 2,5 mm<sup>2</sup>. Additional earth terminal 4 mm<sup>2</sup> external to the housing. Built-in reflector and halogen bulb, according to your needs to produce a wide ("flood" version) or concentrated ("spot" version) beam of light. Standard version: "Spot".

# Survey on types

## Technical data

## Mounting possibilities

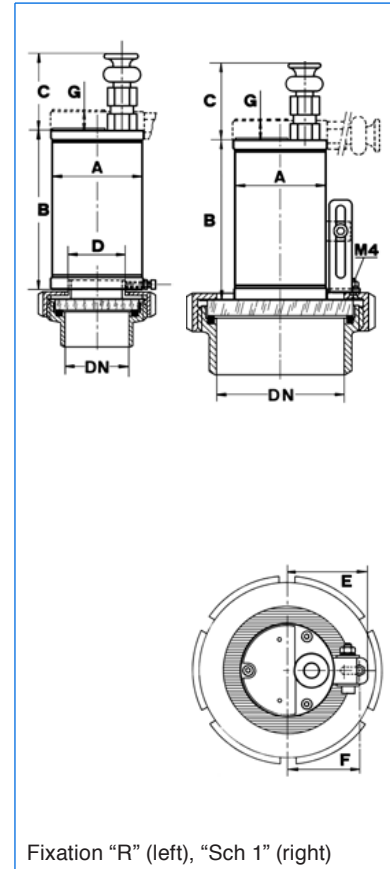
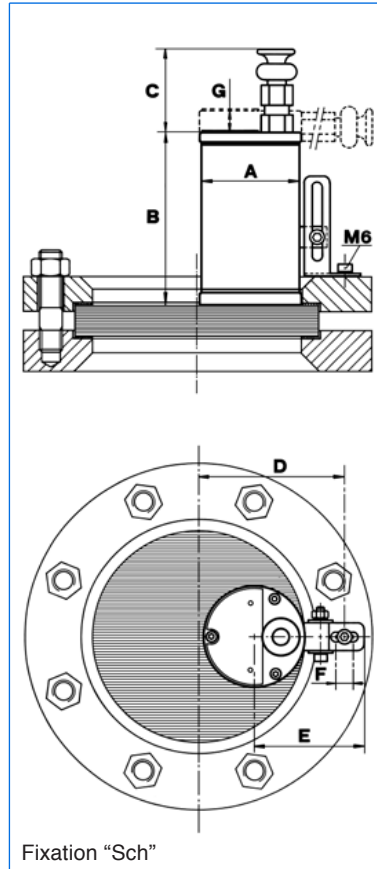
## Dimensions

Type designation	<b>EdeIEx 5 dH</b>	<b>EdeIEx 10 dH</b>	<b>EdeIEx 20 dH</b>
Nominal rating (W)	5	10	20
Terminal voltage with integrated transformer (V)	24, 36 42, 115 230, 240	24, 36 42, 115 230, 240	
Terminal voltage without transfo (AC / DC) (V)	12	12	12, 24
Bulb	Halogen		
Socket	G4		
Weight <sup>1)</sup> (kg)	1,9	1,9	1,65
Ignition protection type to EN 60079-0/60079-1/ 60079-31	Ex d IIC Gb Ex t IIIC Db IP67		
Explosion groups	IIC / IIIC		
Temperature class G / D <sup>2)</sup>	T6 / T80°C	T4 / T130°C	T4 / T130°C
ATEX	Ex II 2 G + D		

<sup>1)</sup> The indicated weight only refers to the light fitting.  
Weight of the fixations: "Sch / Sch 1": 0,06 kg, "R": 0,08 kg  
<sup>2)</sup> T<sub>a</sub> = - 20°C / + 40°C (T<sub>a</sub> up to + 60°C on request)

### Mounting:

- On circular sightglasses to or similar to DIN 28120/28121:  
DN 50 – DN 200: With tilting hinge "Sch"
- On screwed sightglasses similar to DIN 11851:  
DN 50 / DN 65: With intermediate flange collar "R" in AISI 304 (DN size should be specified on ordering)  
From DN 80: With tilting hinge "Sch 1" onto the grooved collar nut
- On pipeline flow indicators:  
With tilting hinge "Sch 1" or specific customer adaptation



Branch office / exclusive agent:

### Sightglasses to DIN 28120

DN	A	B	C	D	E	F	G
50	77	128	63	67	81	12	13
80	77	128	63	77	81	12	13
100	77	128	63	90	81	12	13
125	77	128	63	102	81	12	13
150	77	128	63	115	81	12	13
200	77	128	63	140	81	12	13

### Sightglasses similar to DIN 11851

DN	A	B	C	D	E	F	G
50	77	128	63	44	59	–	13
65	77	128	63	44	59	–	13
80	77	128	63	–	59	47	13
100	77	128	63	–	59	57	13
125	77	128	63	–	59	69	13
150	77	128	63	–	59	82	13

Do you wish for more information about our wide range of light fittings for use in hazardous and safe areas, about our range of circular sightglasses to DIN 28120/28121, screwed sightglasses similar to DIN 11851, rectangular or D-ended sightglasses, pipeline flow indicators, centrally or sideways operated wipers, hinged sightglasses, spraying devices, camera systems for hazardous areas or our complete sight and lightglass units VETROLUX®? Are you interested in other types, special versions or different protection degrees? If yes, please contact us, our branch office or our local agents – it is our business! You will find the necessary indications about our sales network on the Internet.