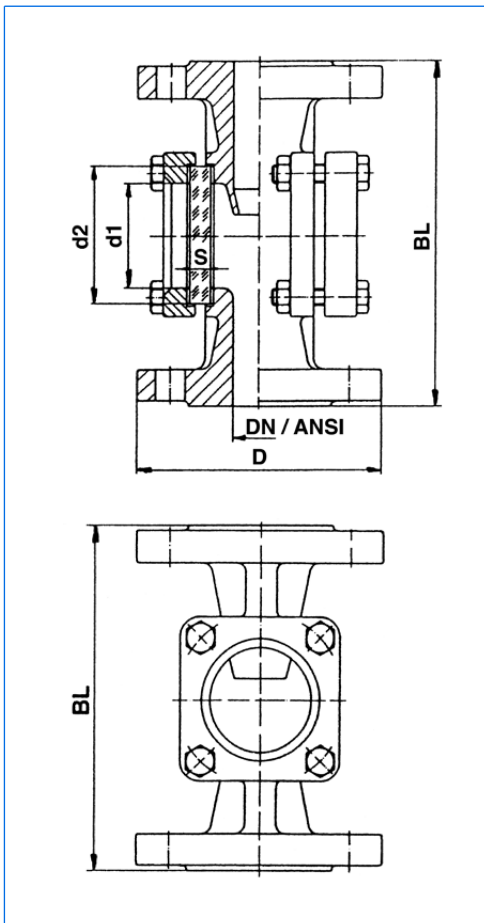


# Flow indicators for pipelines with flanged ends for bolting to DIN and ANSI

**Series FDG in grey cast**  
**Series FDS in steel cast**  
**Series FDE in stainless steel**



Sight flow indicator, type FDE 50, with sightglass light fitting type FKEL 5 dH WM, Ex d IIC T6 Gb, Ex t IIC T80°C Db IP67, Ex II 2 G + D, 230 V, 5 W, with opal glass screen «M»



All dimensions in mm. Subject to changes without preliminary notice.

## Application:

VETROLUX® sight flow indicators are used for the observation of a flow of liquid in tubes and pipelines. The serially built-in drop-nose makes smallest flow rates visible. Visibility may be considerably enhanced by combination with our proven light fittings for hazardous and safe areas. (Please see our respective leaflets).

## Operating conditions:

Nominal pressure: PN 16 / 25 / 40 / PN 16 at 150 lbs / PN 40 at 300 lbs  
 Vacuum  
 Maximum temperature: 280 °C (150 °C with sodium silicate glass)

## Standard materials:

Body material: Series FDG: GG 25 (max. PN 16 / 150 lbs)  
 Series FDS: GS-C 25  
 Series FDE: Stainless steel 1.4408  
 Cover flanges: Series FDG: GG 25 / RSt 37-2 (max. PN 16 / 150 lbs)  
 Series FDS: GS-C 25 / RSt 37-2  
 Series FDE: Stainless steel 1.4408 / 1.4301  
 Bolts: Series FDG / FDS: 4.6 / 5.6, zinked  
 Series FDE: A4-70  
 Glass discs: Borosilicate glass to DIN 7080 (Standard)  
 Sodium silicate glass to DIN 8902 (Option)  
 Gaskets product side: Graphite  
 cover side: KLINGERSil C4400  
 Other materials are available on request.

## Mounting position:

Without restriction. The flux direction has to be taken into account.

## Certificates:

To be supplied to DIN EN 10204 against extra charge.

## Options:

- With flap
- With turbine
- With welding ends
- With heating jacket
- With sightglass light fittings

## Ordering example:

1 piece VETROLUX® sight flow indicator with flanged ends, body in stainless steel 1.4408, nominal pressure 16 bar (PN 16), nominal diameter (DN) 80:  
 1 piece FDE 80-1.4408-16-Graphite-KLINGERSil C4400

## Dimensions:

DN	ANSI	D			BL	d1	d2	S		
		DIN	ANSI 150 lbs	ANSI 300 lbs				16 bar / 150 lbs	25 bar	40 bar / 300 lbs
15	½"	95	89	95,2	130	32	45	10	10	10
20	¾"	105	98	117,3	150	32	45	10	10	10
25	1"	115	108	123,8	160	48	63	10	12	15
32	1¼"	140	118	133,4	180	48	63 <sup>3</sup>	10	12	15
40	1½"	150	127	155,6	200	65	80	12	15	20
50	2"	165	152	165,1	230	80	100	15	20	25
65	2½"	185	178	190,5	290	80	100	15	20	25
80	3"	200	191	209,6	310	100	125	20	25	30
100	4"	220 (235) <sup>1</sup>	228 <sup>2</sup>	254,0	350	125	150	25	30	35
125	5"	250 (270) <sup>1</sup>	254 <sup>2</sup>	279,4	400	150	175	25	30	40
150	6"	285 (300) <sup>1</sup>	279	317,5	480	175	200	30 <sup>4</sup>	35	50
200	8"	340(360/375) <sup>1</sup>	343 <sup>2</sup>	381,0	600	175	200	30 <sup>4</sup>	35	50

<sup>1</sup> D in ( ) corresponding to PN 25 / 40    <sup>2</sup> Not deliverable in GG 25    <sup>3</sup> Glass dimension in GG 25: ø 80x12

<sup>4</sup> Only with glass discs from borosilicate to DIN 7080