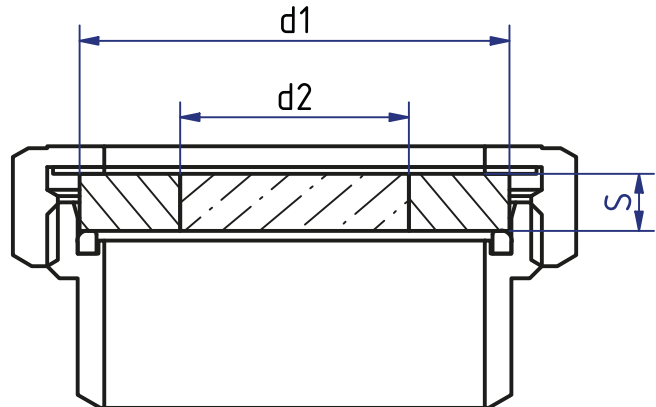
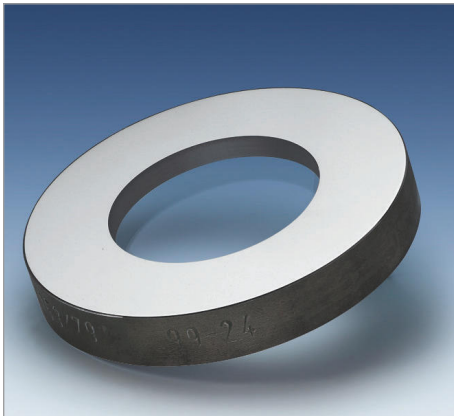


METAGLAS® Sight glass discs for screwed fittings similar to DIN 11851



Applications

- Screwed sight glass fitting similar to DIN 11851
- For use in food processing, cosmetics and pharmaceutical applications where a product or process has to be observed or controlled inside stirred vessels, tanks, dryers, columns, centrifuges, mixers, evaporators, etc.

Advantages

- Reliability against total failure – the possibility of sudden unexpected rupture is totally excluded
- Simple assembly
- Long service life

Approvals and technical data

- Manufactured and tested in conformance with:
- Pressure Equipment Directive 2014/68/EU, Module H/H1 (DIN/EN/ISO 9001)
- AD2000 Standards W0/TRD 100
- TÜV and Factory Mutual Approval
- Sight glass fused to metal conforming to DIN 7079
- Borosilicate glass to DIN 7080 / DIN 7079

Material certificates

- Certificate of Conformity EN 10204 – 3.1 or 3.2

| Ring materials | Temperature (TS) |
|----------------|------------------|
| 1.4462 | -30°C to +280°C |
| 2.4602 | -60°C to +300°C |
| 2.4605 | -60°C to +300°C |
| 2.4610 | -60°C to +300°C |

| NW | d1 | d2 | S | Max. operating pressure (bar) |
|-----|-----|----|----|-------------------------------|
| 32 | 45 | 25 | 10 | 40 |
| 40 | 50 | 25 | 10 | 40 |
| 50 | 63 | 35 | 10 | 16 |
| 65 | 80 | 45 | 10 | 10 |
| 80 | 93 | 50 | 10 | 10 |
| 100 | 113 | 60 | 15 | 16 |
| 125 | 142 | 75 | 20 | 16 |
| 150 | 166 | 80 | 20 | 16 |